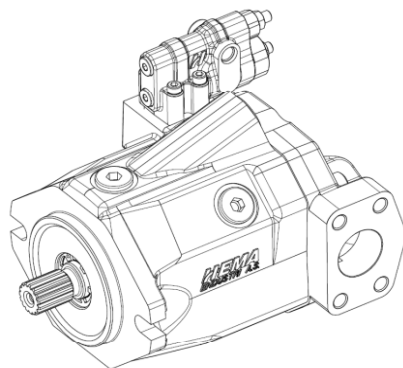


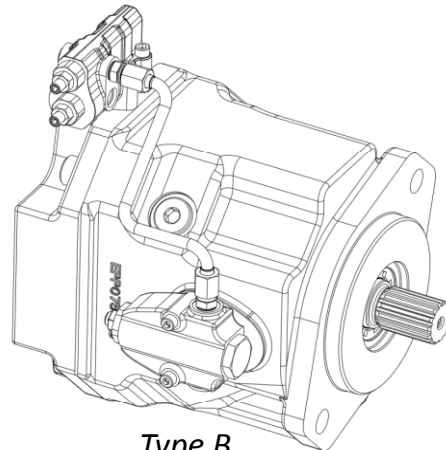
HPV

HEMA VARIABLE DISPLACEMENT PISTON PUMP SERIES

- VARIABLE DISPLACEMENT AXIAL PISTON PUMP
- DISPLACEMENTS: 28 TO 75 CC
- WORKING-PEAK PRESSURE:
250-330 bar typeA , 280-350 bar TypeB
- PRESSURE, FLOW AND POWER REGULATIONS
- SHORT RESPONCE TIMES
- LOW NOISE

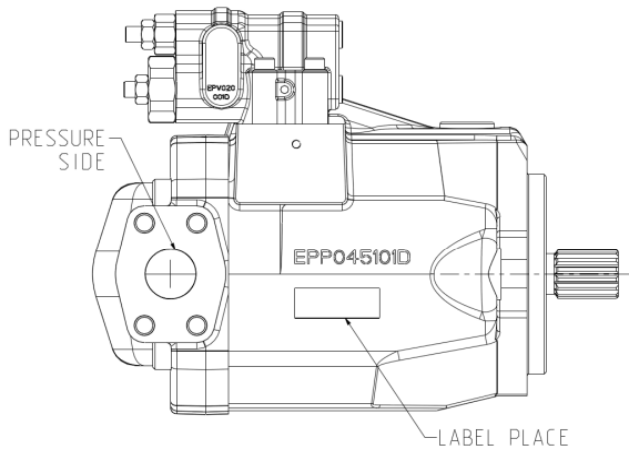


Type A

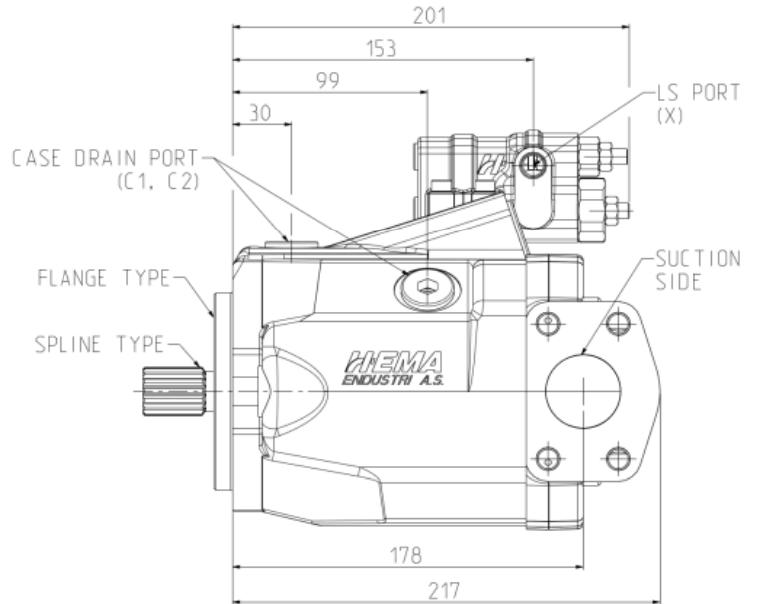
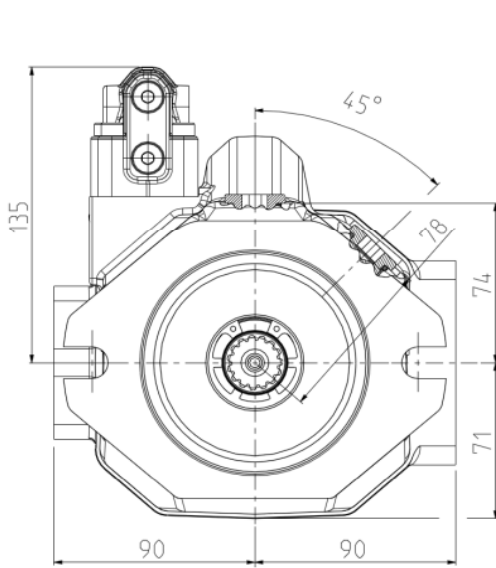


Type B

HPV SERIES TYPE A PISTON PUMP DIMENSIONS AND SPECIFICATIONS

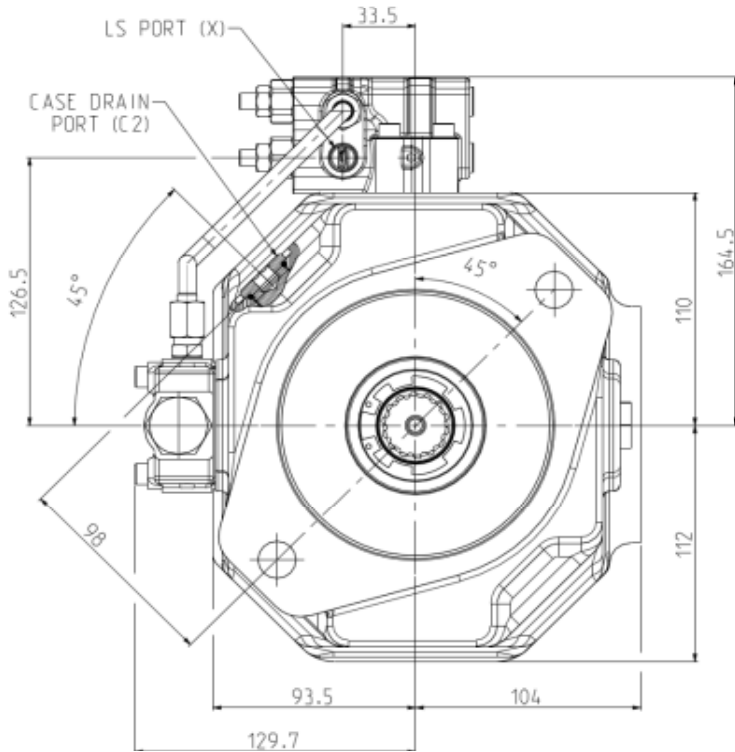


PR: PRESSURE REGULATION
PFR: PRESSURE AND FLOW REGULATION

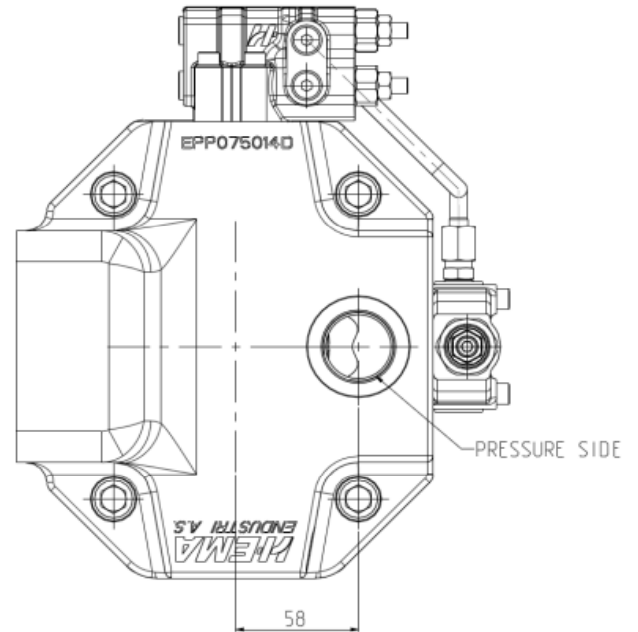
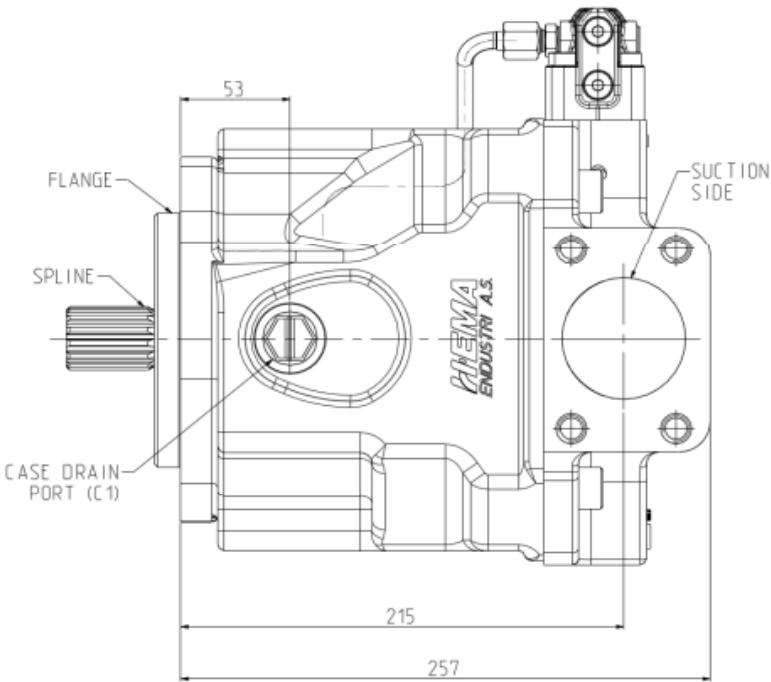


MODEL	DISPLACEMENT (cm^3/rev)	MAX. OUTLET PRESSURE bar	PEAK PRESSURE bar	MAX. SPEED rpm
HPV TYPE A	28	250	330	3000
	35	250	330	2700
	45	250	330	2700

HPV SERIES TYPE B PISTON PUMP DIMENSIONS AND SPECIFICATIONS



PR: PRESSURE REGULATION
PFR: PRESSURE AND FLOW REGULATION
PFPR: PRESSURE, FLOW AND POWER REGULATION



MODEL	DISPLACEMENT (cm ³ /rev)	MAX. OUTLET PRESSURE bar	PEAK PRESSURE bar	MAX. SPEED rpm
HPV TYPE B	65	280	350	2200
	75	280	350	2200

1 *SHAFT TYPES (SAE)*

SHAFT TYPES		28cc	35cc	45cc	65cc	75cc
SPLINE	11T 16/32 DP	●				
	13T 16/32 DP	●	●	●		
	15T 16/32 DP		●	●	●	●
	14T 12/24 DP				●	●
STRAIGHT	22 (Ø22.22)	●				
	25 (Ø25.40)		●	●		
	32 (Ø31.75)				●	●

2 *FLANGE TYPES (SAE)*

FLANGE TYPES	28cc	35cc	45cc	65cc	75cc
SAE A 2BOLT	●				
SAE B 2BOLT	●	●	●		
SAE C 2BOLT				●	●

3	SUCTION PORT (SAE)
----------	---------------------------

SUCTION FLANGED PORT TYPES (FLANGED PORTS)		28cc	35cc	45cc	65cc	75cc
1 ¼"	M10x1.5	●				
	7/16-14 UNC-2B	●				
1 ½"	M12x1.75		●	●		
	1/2 13 UNC-2B		●	●		
2"	M12x1.75				●	●
	1/2 13 UNC-2B				●	●

*** REAR PORTS, SIDE PORTS AND STRAIGHT THREAD PORTS ON REQUEST**

4	PRESSURE PORT (SAE)
----------	----------------------------

PRESSURE PORT TYPES (FLANGED PORTS)		28cc	35cc	45cc	65cc	75cc
¾"	M10x1.5	●				
	7/16-14 UNC-2B	●				
1"	M12x1.75		●	●	●	●
	1/2 13 UNC-2B		●	●	●	●

*** REAR PORTS, SIDE PORTS AND STRAIGHT THREAD PORTS ON REQUEST**

5	CASE DRAIN PORT (SAE)
----------	------------------------------

CASE DRAIN PORT	28cc	35cc	45cc	65cc	75cc
3/4-16UNF-2B	●	●	●	●	●
7/8-14UNF-2B	●	●	●	●	●
M18x1.5	●	●	●	●	●
M22x1.5	●	●	●	●	●

6	LS PORT (SAE)
----------	----------------------

PRESSURE PORT TYPES (FLANGED PORTS)	28cc	35cc	45cc	65cc	75cc
7/8-20UNF-2B	●	●	●	●	●
M12x1.5	●	●	●	●	●
M14x1.5	●	●	●	●	●

MODEL CODE

