



SÜTUNLU

MODELLER

Double Column Types

Cut'eral
INTEGRATED CUTTING SYSTEMS

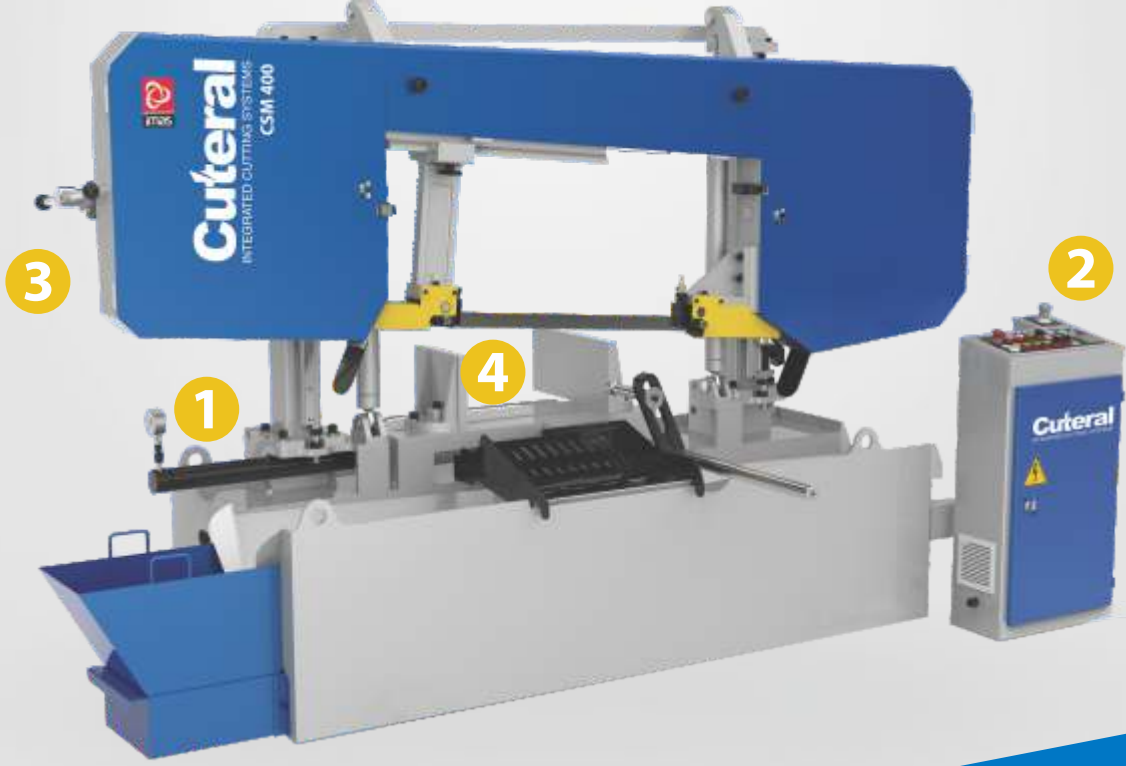
CSM 400

Yarı Otomatik Hidrolik Sütunlu

Testere Tezgahı

*Semi Automatic Double Column Hydraulic
Bandsaw Machine*

Cuteral
INTEGRATED CUTTING SYSTEMS



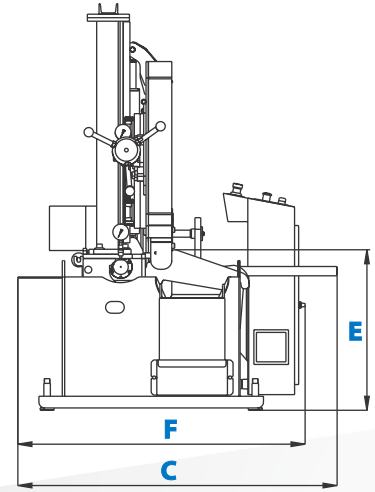
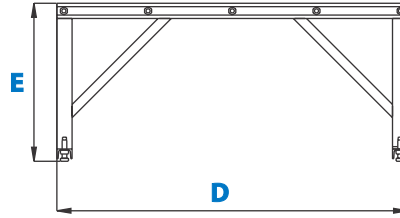
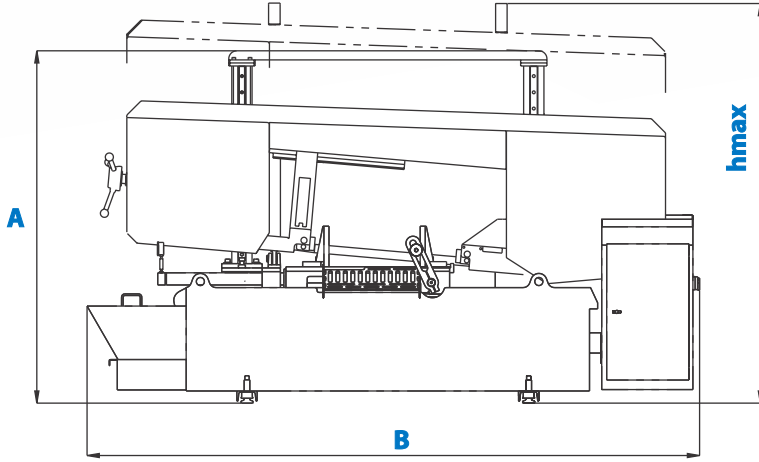
**1 MALZEME SIKMA
SİSTEMİ**
Clamping System

2 KUMANDA PANELİ
Control Panel

**3 ŞERİT GERDİRME
SİSTEMİ**
Blade Tensioning

4 AÇILI KESİM
Miter Cutting

Ölçüler / Dimensions



A	1740 mm 68.50 inch	B	3022 mm 118.98 inch	C	1365 mm 53.74 inch	D	1500 mm 59.06 inch	E	675 mm 26.57 inch	F	1228 mm 48.35 inch	hmax	1975 mm 77.76 inch
---	-----------------------	---	------------------------	---	-----------------------	---	-----------------------	---	----------------------	---	-----------------------	------	-----------------------

Yarı Otomatik Semi Automatic	Şerit Ölçüsü Blade Dimension 41x1.3x5715 mm 1 1/2 x 0.050x225 inch	Şerit Motoru Blade Motor 4kw- 1500d/dk 5.36 hp-1000 rpm	Sürücü Motor Feeding Motor Manuel Manual
Hidrolik Motor Hydraulic Pump Motor 0.37kW -1500 d/dk 0.5 hp /1500 rpm	Soğutucu Motor Cooling Liquid Motor 0.12kW 3000d/dk 0.16hp - 3000 rpm	Voltaj Voltage 400 V 400 V	Maksimum Güç Maximum Power 4.49kW 6.02 hp
Kesme Hızı Cutting Speed 15 m/dk- 49 ft/min 100 m/dk- 328 ft/min	Ağırlık Weight 1220 kg 2690 lbs	Malzeme Sıkma Sistemi Material Clamping System Hidrolik Hydraulic	Şerit Germe Sistemi Blade Tensioning System Hidromekanik Hydramechanic

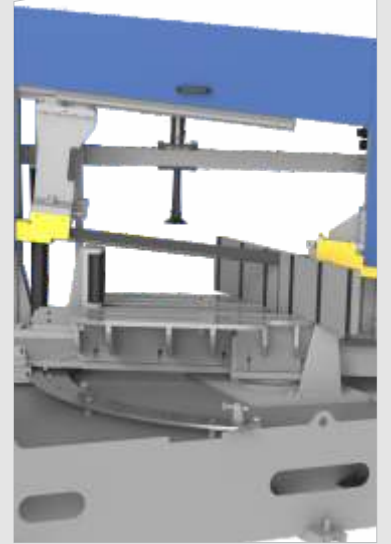
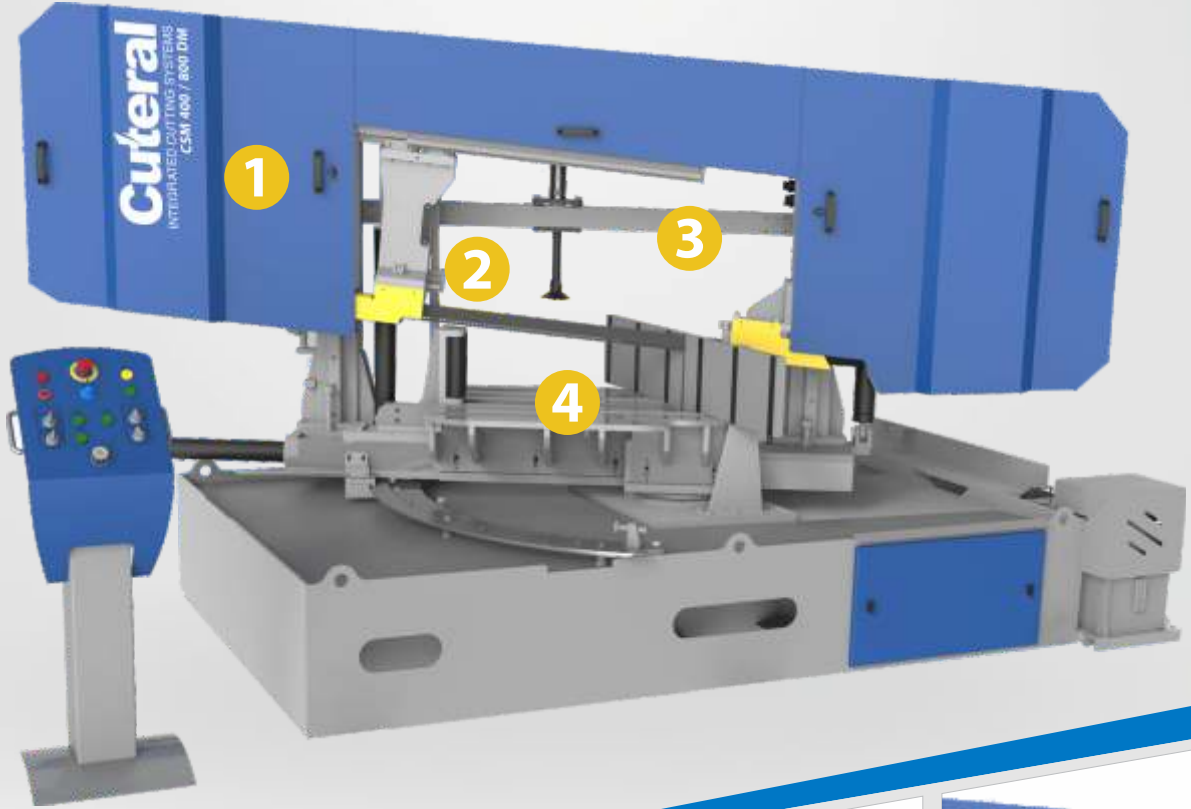
Kesim Kapasitesi Cutting Capacity 400 mm 15.75 inch	Kesim Kapasitesi Cutting Capacity 490 mm 19.29 inch	90°	60°	45°	30°	0°	15°	45°	60°
300 mm 11.81 inch	300 mm 11.81 inch	300 mm 11.81 inch	400 mm 15.75 inch	400 mm 15.75 inch	400 mm 15.75 inch	400 x 400 mm 15.75 x 15.75 inch	400 x 400 mm 15.75 x 15.75 inch	400 x 400 mm 15.75 x 15.75 inch	400 x 490 mm 15.75 x 19.29 inch
400 x 300 mm 15.75 x 11.81inch	400 x 300 mm 15.75 x 11.81inch	400 x 300 mm 15.75 x 11.81inch	400 x 400 mm 15.75 x 15.75 inch	400 x 400 mm 15.75 x 15.75 inch	400 x 490 mm 15.75 x 19.29 inch				

CSM 400 / 800 DM

Yarı Otomatik Çift Yön Açılı Hidrolik Sütunlu Testere Tezgahı

Double Miter Semi Automatic Double Column
Hydraulic Bandsaw Machine

Cuteral
INTEGRATED CUTTING SYSTEMS



1

HAREKET SİSTEMİ
Linear Guiding

2

MALZEME SÜRME SİSTEMİ
Material Feeding System

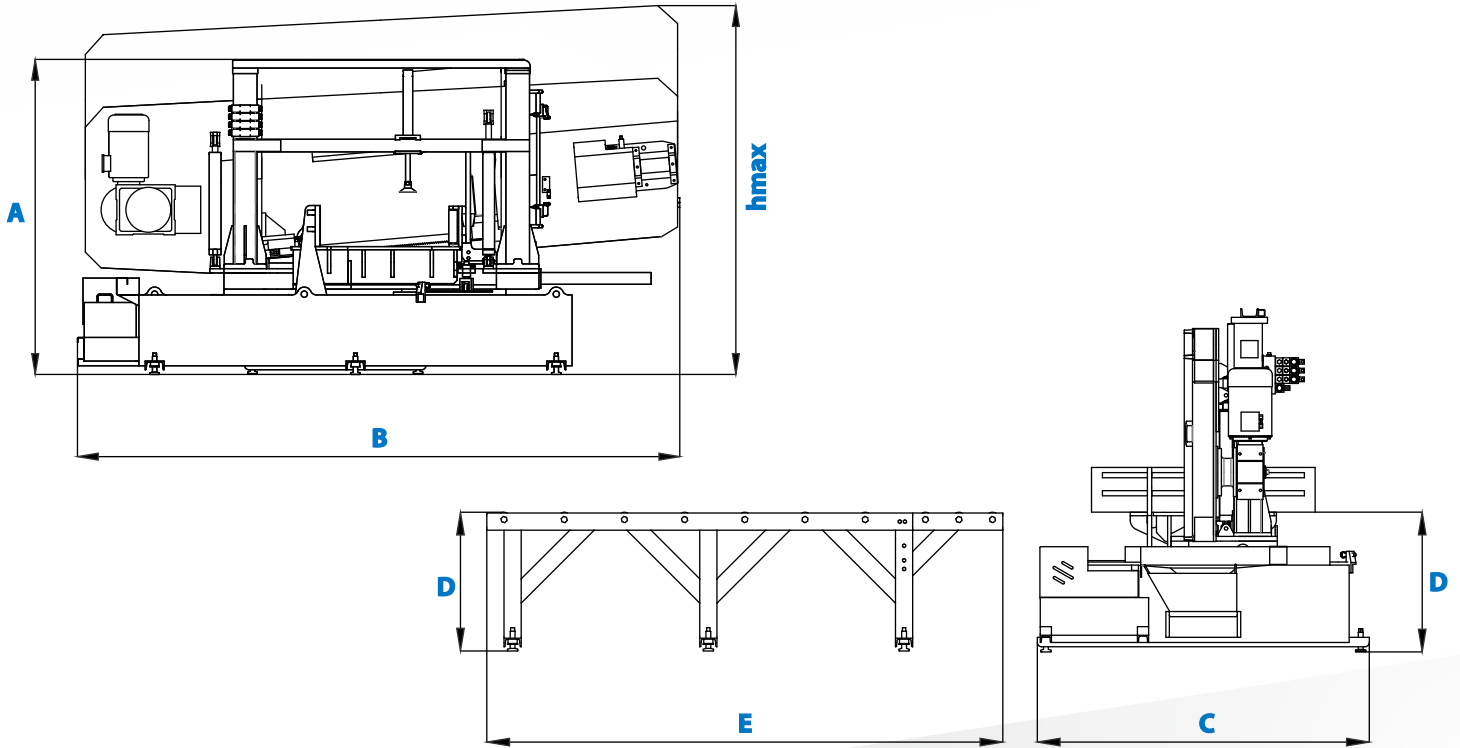
3

ÜST BASKI SİSTEMİ
Bundle Clamping

4

AÇILI KESİM
Miter Cutting

Ölçüler / Dimensions



A	2000 mm 78.74 inch	B	3825 mm 150.59 inch	C	1930 mm 75.98 inch	D	815 mm 32.09 inch	E	3000 mm 118.11 inch	hmax	2350 mm 92.52 inch
----------	-----------------------	----------	------------------------	----------	-----------------------	----------	----------------------	----------	------------------------	-------------	-----------------------

Yarı Otomatik Semi Automatic	Şerit Ölçüsü Blade Dimension 54x1.6x8130 mm 2 x 0.063x320 inch	Şerit Motoru Blade Motor 4kW-1000d/dk 5.36hp-1000 rpm	Sürücü Motor Feeding Motor Manuel Manual
Hidrolik Motor Hydraulic Pump Motor 1.1kW -1500 d/dk 1.48 hp- 1500rpm	Soğutucu Motor Cooling Liquid Motor 0.12kW 3000d/dk 0.16hp - 3000 rpm	Voltaj Voltage 400 V 400 V	Maksimum Güç Maximum Power 5.22 kW 7 hp
Kesme Hızı Cutting Speed 15 m/dk- 49 ft/min 100 m/dk- 328 ft/min	Ağırlık Weight 3750 kg 8267 lbs	Malzeme Sıkma Sistemi Material Clamping System Hidrolik Hydraulic	Şerit Germe Sistemi Blade Tensoning System Hidromekanik Hydramechanic

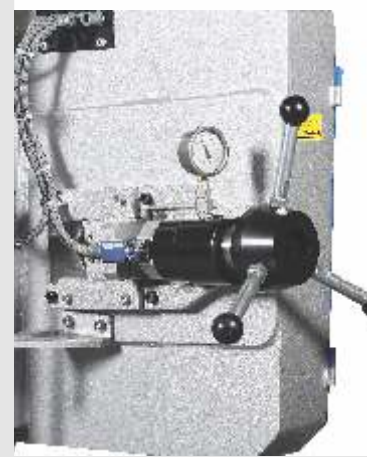
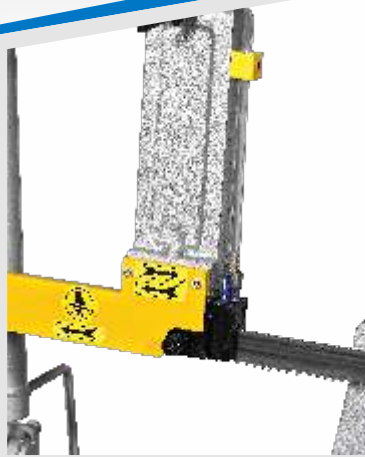
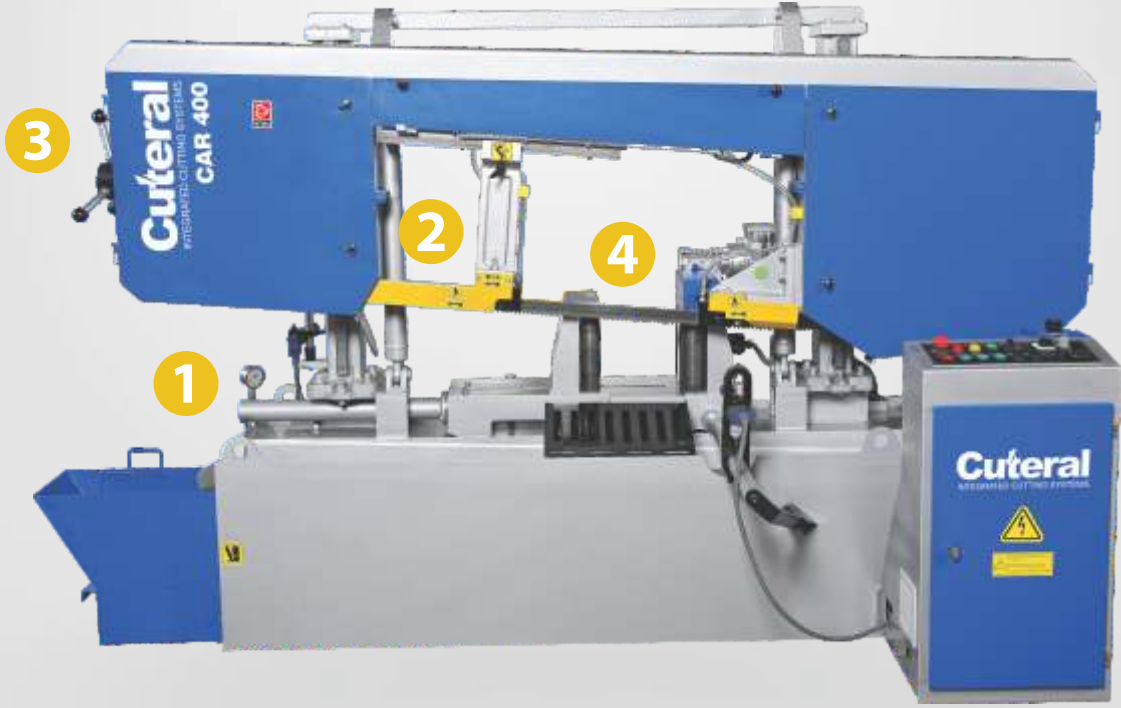
Kesim Kapasitesi Cutting Capacity 400 mm 15.75 inch	Kesim Kapasitesi Cutting Capacity 800 mm 31.50 inch	mm inch	60°	45°	30°	0°	15°	45°	60°
400 x 400 mm 15.75 x 15.75 inch	400 x 400 mm 15.75 x 15.75 inch	400 x 400 mm 15.75 x 15.75 inch	400 x 400 mm 15.75 x 15.75 inch	400 x 400 mm 15.75 x 15.75 inch	400 x 400 mm 15.75 x 15.75 inch	400 x 400 mm 15.75 x 15.75 inch	400 x 400 mm 15.75 x 15.75 inch	400 x 400 mm 15.75 x 15.75 inch	400 x 400 mm 15.75 x 15.75 inch
400 x 500 mm 15.75 x 19.69 inch	400 x 500 mm 15.75 x 19.69 inch	400 x 500 mm 15.75 x 19.69 inch	400 x 500 mm 15.75 x 19.69 inch	400 x 500 mm 15.75 x 19.69 inch	400 x 500 mm 15.75 x 19.69 inch	400 x 500 mm 15.75 x 19.69 inch	400 x 500 mm 15.75 x 19.69 inch	400 x 500 mm 15.75 x 19.69 inch	400 x 500 mm 15.75 x 19.69 inch

CAR 400

Tam Otomatik Hidrolik Sütunlu Testere Tezgahı

Full Automatic Double Column Hydraulic
Bandsaw Machine

Cuteral
INTEGRATED CUTTING SYSTEMS



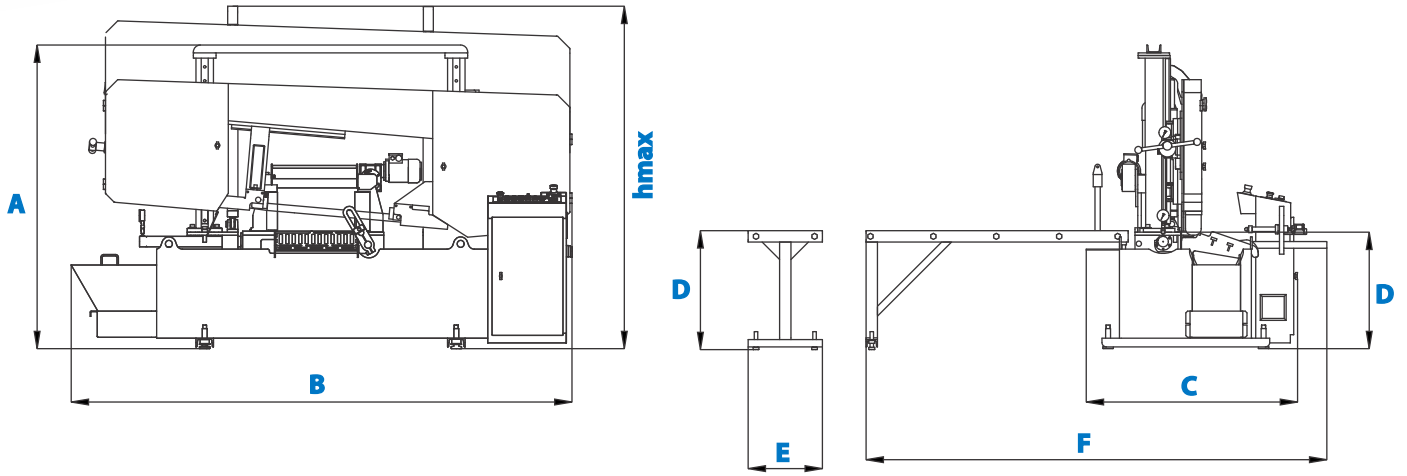
1 **MALZEME SIKMA
SİSTEMİ**
Material Clamping
System

2 **HAREKET SİSTEMİ**
Linear Guiding

3 **ŞERİT GEDİRME
SİSTEMİ**
Blade Tensioning

4 **MALZEME
SÜRME SİSTEMİ**
Material Feeding
System

Ölçüler / Dimensions



A	1740 mm 68.50 inch	B	2870 mm 112.99 inch	C	1376 mm 54.17 inch	D	670 mm 26.38 inch	E	425 mm 16.73 inch	F	2640 mm 103.94 inch	hmax	1965 mm 77.36 inch
---	-----------------------	---	------------------------	---	-----------------------	---	----------------------	---	----------------------	---	------------------------	------	-----------------------

Otomatik Automatic	Şerit Ölçüsü Blade Dimension 41x1.3x5715 mm 1 1/2x 0.050x225 inch	Şerit Motoru Blade Motor 4kw -1000 d/dk 5.36 hp - 1000rpm	Sürücü Motor Feeding Motor 0.37 kw - 925 d/dk 0.49 hp - 925 d/dk
Hidrolik Motor Hydraulic Pump Motor 0.37kw- 1500 d/dk 0.5 hp-1500 rpm	Soğutucu Motor Cooling Liquid Motor 0.12kW 3000d/dk 0.16hp - 3000 rpm	Voltaj Voltage 400 V 400 V	Maksimum Güç Maximum Power 4.74 kw 6.35 hp
Kesme Hızı Cutting Speed 15 m/dk- 49 ft/min 100 m/dk- 328 ft/min	Ağırlık Weight 1250 kg 2755 lbs	Malzeme Sıkma Sistemi Material Clamping System Hidrolik Hydraulic	Şerit Germe Sistemi Blade Tensioning System Hidromekanik Hydramechanic

Kesim Kapasitesi Cutting Capacity 400 mm 15.75 inch	Kesim Kapasitesi Cutting Capacity 450 mm 17.72 inch	90°	60°	45°	30°	0°	15°	45°	60°
Kesim Kapasitesi Cutting Capacity 400 mm 15.75 inch	Kesim Kapasitesi Cutting Capacity 450 mm 17.72 inch	90°	60°	45°	30°	0°	15°	45°	60°
Kesim Kapasitesi Cutting Capacity 400 mm 15.75 inch	Kesim Kapasitesi Cutting Capacity 450 mm 17.72 inch	90°	60°	45°	30°	0°	15°	45°	60°

CSM 550

Yarı Otomatik Hidrolik Sütunlu Testere Tezgahı

Semi Automatic Double Column Hydraulic
Bandsaw Machine

Cuteral
INTEGRATED CUTTING SYSTEMS



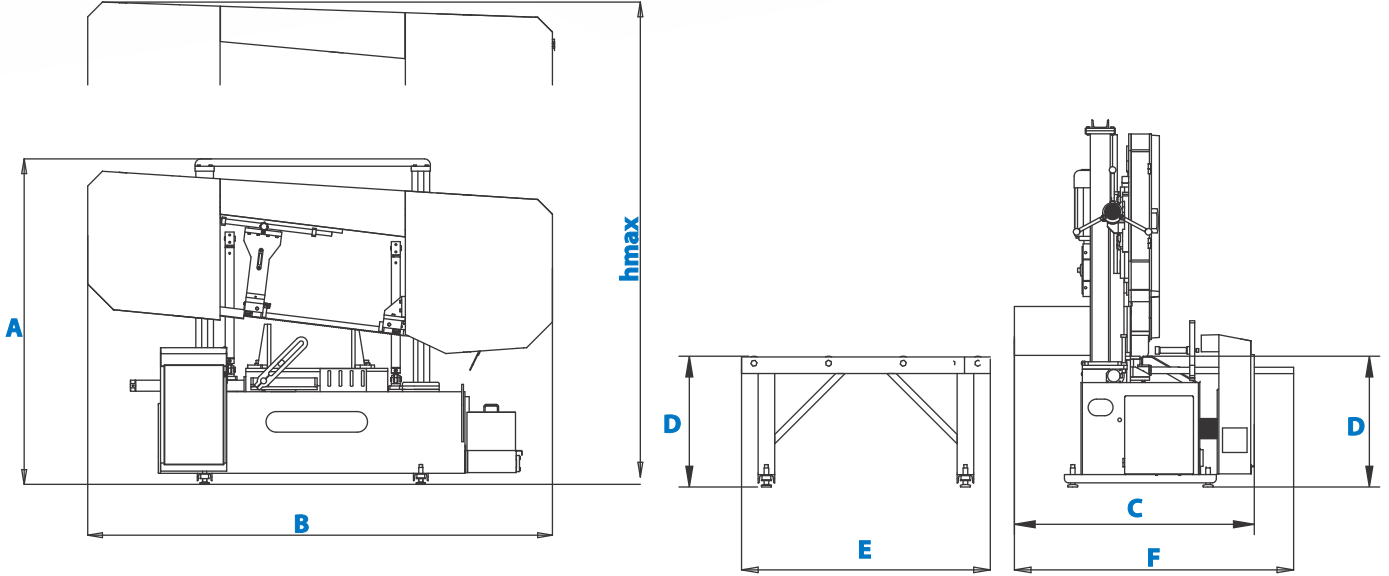
1 HAREKET SİSTEMİ
Linear Guiding

2 MALZEME SIKMA
SİSTEMİ
Miter Cutting

3 ŞERİT GİRDİRME
SİSTEMİ
Blade Tensioning

4 AÇILI KESİM
Miter Cutting

Ölçüler / Dimensions



A	2215 mm 87.20 inch	B	3200 mm 125.98 inch	C	1460 mm 57.48 inch	D	765 mm 30.12 inch	E	1500 mm 59.06 inch	F	1690 mm 66.54 inch	hmax	2410 mm 94.88 inch
---	-----------------------	---	------------------------	---	-----------------------	---	----------------------	---	-----------------------	---	-----------------------	------	-----------------------

Yarı Otomatik Semi Automatic	Şerit Ölçüsü Blade Dimension 41x1.3x6850 mm 1 1/2 x 0.050x269.6 inch	Şerit Motoru Blade Motor 4 kW-1000d/dk 5.36hp -1000 rpm	Sürücü Motor Feeding Motor Manuel Manual
Hidrolik Motor Hydraulic Pump Motor 1.1kW -1500 d/dk 1.46hp 1500 rpm	Soğutucu Motor Cooling Liquid Motor 0.12kW 3000d/dk 0.16hp - 3000 rpm	Voltaj Voltage 400 V 400 V	Maksimum Güç Maximum Power 5.22kW 7 hp
Kesme Hızı Cutting Speed 15 m/dk- 49 ft/min 100 m/dk- 328 ft/min	Ağırlık Weight 2100 kg 4620 lbs	Malzeme Sıkma Sistemi Material Clamping System Hidrolik Hydraulic	Şerit Germe Sistemi Blade Tensioning System Hidromekanik Hydramechanic

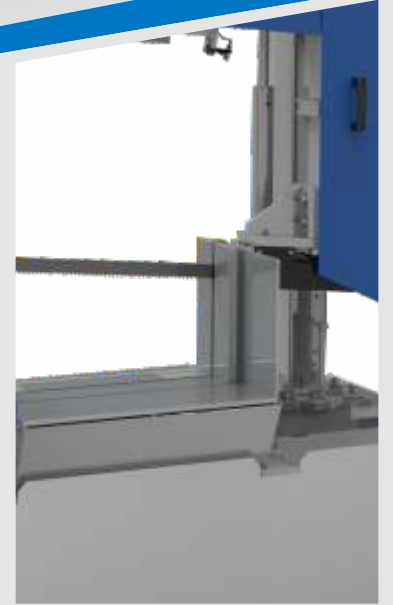
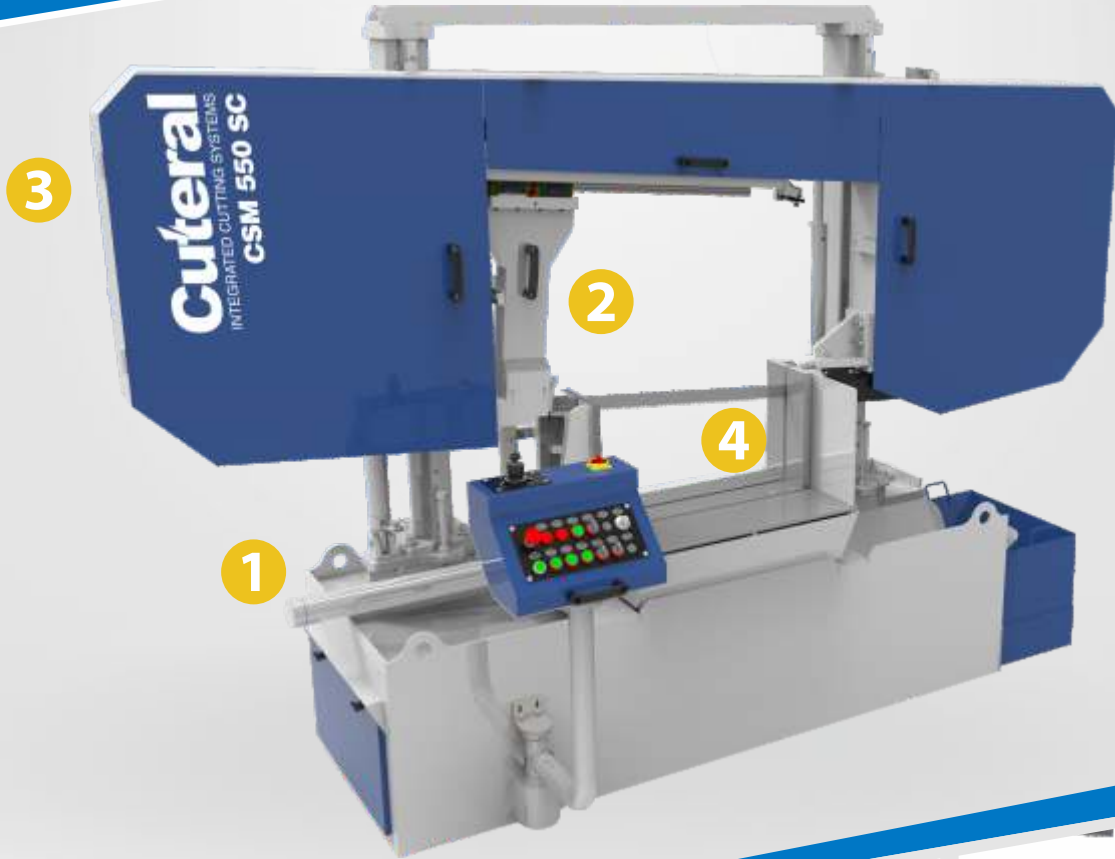
Kesim Kapasitesi Cutting Capacity	Kesim Kapasitesi Cutting Capacity	mm inch	60°	45°	30°	0°	15°	45°	60°
550 mm 21.65 inch	600 mm 23.62 inch	●	370 mm 14.57 inch	460 mm 18.11 inch	550 mm 21.65 inch				
		■	370 x 370 mm 14.57 x 14.57 inch	460 x 460 mm 18.11 x 18.11 inch	550 x 550 mm 21.65 x 21.65 inch				
		■	550 x 370 mm 21.65 x 14.57 inch	550 x 460 mm 21.65 x 18.11 inch	550 x 600 mm 21.65 x 23.62 inch				

CSM 550 SC

Yarı Otomatik Hidrolik Sütunlu Testere Tezgahı

Semi Automatic Double Column Hydraulic
Bandsaw Machine

Cuteral
INTEGRATED CUTTING SYSTEMS



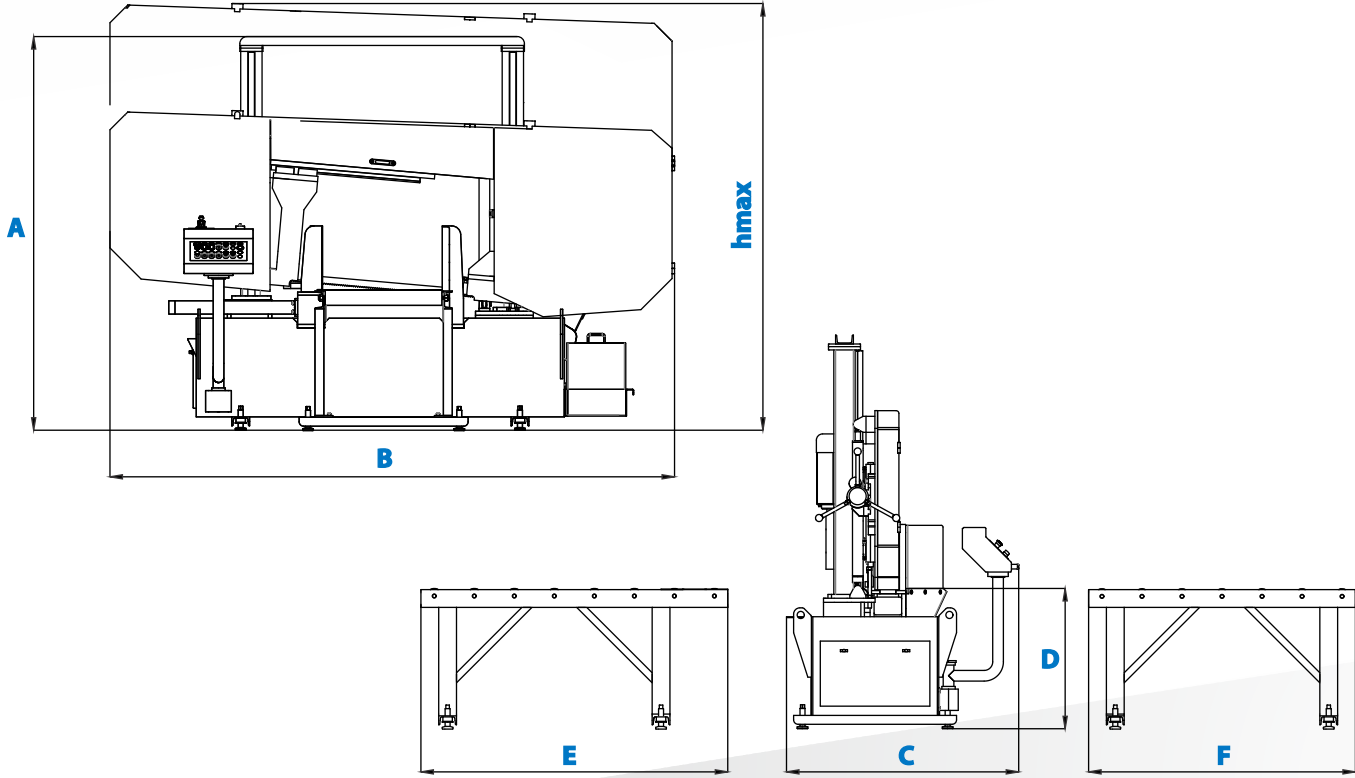
1 MALZEME SIKMA
SİSTEMİ
Material Clamping
System

2 HAREKET SİSTEMİ
Linear Guiding

3 ŞERİT GERDİRME
SİSTEMİ
Blade Tensioning

4 MENGENE
SİSTEMİ
Clamping System

Ölçüler / Dimensions



A	2215 mm 87.20 inch	B	3165 mm 124.61 inch	C	1305 mm 51.38 inch	D	790 mm 31.10 inch	E	1725 mm 67.91 inch	F	2000 mm 78.74 inch	hmax	2400 mm 94.49 inch
----------	-----------------------	----------	------------------------	----------	-----------------------	----------	----------------------	----------	-----------------------	----------	-----------------------	-------------	-----------------------

Yarı Otomatik Semi Automatic	Şerit Ölçüsü Blade Dimension 41x1.3x6850 mm 1 1/2 x 0.050x269.6 inch	Şerit Motoru Blade Motor 4 kW-1000 d/dk 5.36hp 1000rpm	Sürücü Motor Feeding Motor Manuel Manual
Hidrolik Motor Hydraulic Pump Motor 1.1kW-1500 d/dk 1.48hp- 1500 rpm	Soğutucu Motor Cooling Liquid Motor 0.12kW-3000 d/dk 0.16hp-3000 rpm	Voltaj Voltage 400 V 400 V	Maksimum Güç Maximum Power MAX 5.22 kW 7 hp
Kesme Hızı Cutting Speed 15 m/dk- 49 ft/min 100 m/dk- 328 ft/min	Ağırlık Weight 2200 kg 4850 lbs	Malzeme Sıkma Sistemi Material Clamping System Hidrolik Hydraulic	Şerit Germe Sistemi Blade Tensioning System Hidromekanik Hydramechanic

Kesim Kapasitesi Cutting Capacity 550 mm 21.65 inch	Kesim Kapasitesi Cutting Capacity 600 mm 23.62 inch	mm inch	60°	45°	30°	0°	15°	45°	60°
						550 mm 21.65 inch			
						550 x 550 mm 21.65 x 21.65 inch			
						550 x 650 mm 21.65 x 25.59 inch			

CSM 550 DM

Yarı Otomatik Çift Yön Açılı
Hidrolik Sütunlu Testere Tezgahı
Double Miter Semi Automatic Double Column
Hydraulic Bandsaw Machine

Cuteral
INTEGRATED CUTTING SYSTEMS



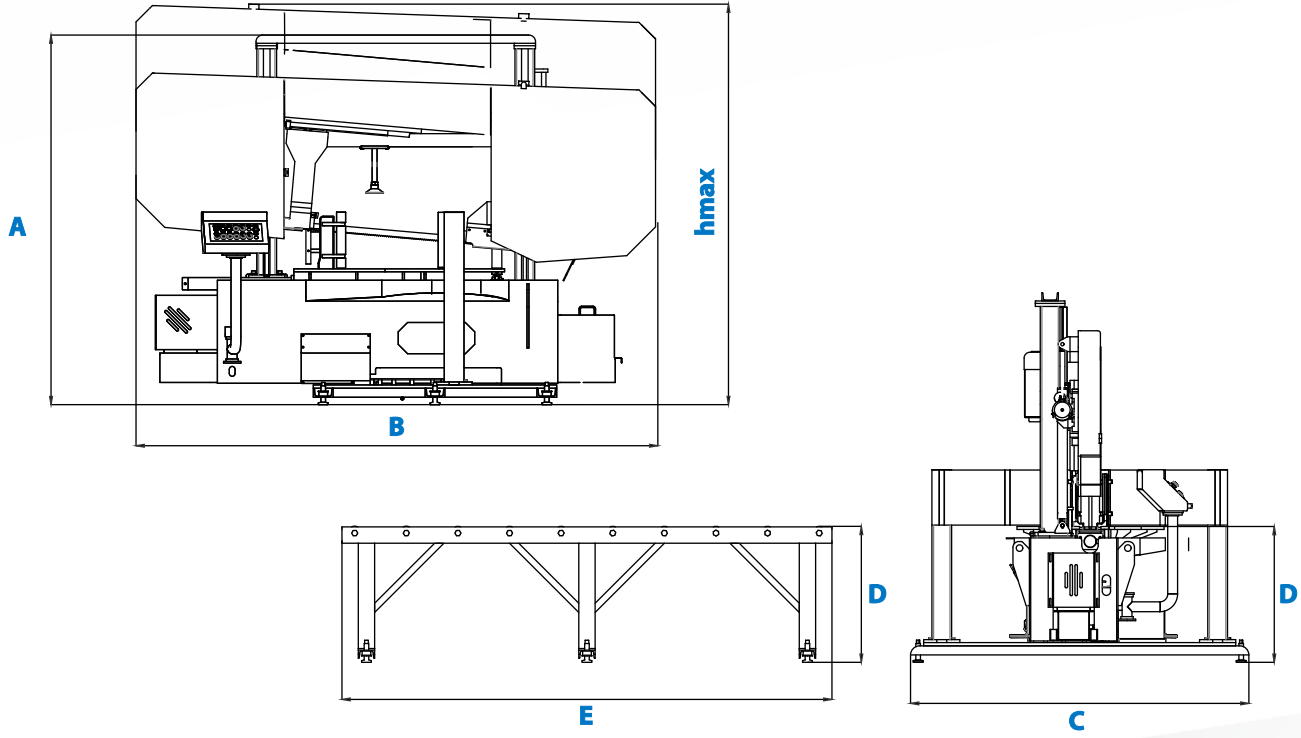
1 ÜST BASKI SİSTEMİ
Bundle Clamping

2 MALZEME SÜRME SİSTEMİ
Material Feeding System

3 AÇILI KESİM
Miter Cutting

4 DOKUNMATİK PLC EKLAN
PLC Control Touch Screen

Ölçüler / Dimensions



A	2250 mm 88.58 inch	B	3160 mm 124.41 inch	C	2058 mm 81.02 inch	D	825 mm 32.48 inch	E	3000 mm 118.11 inch	hmax	2437 mm 95.94 inch
----------	-----------------------	----------	------------------------	----------	-----------------------	----------	----------------------	----------	------------------------	-------------	-----------------------

Yarı Otomatik Semi Automatic	Şerit Ölçüsü Blade Dimension 41x1.3x6850mm 1 1/2 x 0.050x269.6 inch	kW Şerit Motoru Blade Motor 4kW-1000 d/dk 5.36hp 1000 rpm	kW Sürücü Motor Feeding Motor Manuel Manual
kW OIL Hidrolik Motor Hydraulic Pump Motor 1.1kW-1500 d/dk 1.48hp- 1500 rpm	kW H ₂ O Soğutucu Motor Cooling Liquid Motor 0.12kW 3000d/dk 0.16hp - 3000 rpm	Voltaj Voltage 400 V 400 V	Maksimum Güç Maximum Power 5.22 kW 7 hp
Kesme Hızı Cutting Speed 15 m/dk- 49 ft/min 100m/dk- 328 ft/min	KG LBS Ağırlık Weight 3150 kg 6944 lbs	Malzeme Sıkma Sistemi Material Clamping System Hidrolik Hydraulic	Şerit Germe Sistemi Blade Tensioning System Hidromekanik Hydramechanic

Kesim Kapasitesi Cutting Capacity 400 mm 15.75 inch	Kesim Kapasitesi Cutting Capacity 800 mm 31.50 inch	mm inch	60° 200 mm 7.87 inch	45° 350 mm 13.78 inch	30° 460 mm 18.11 inch	0° 550 mm 21.65 inch	15° 460 mm 18.11 inch	45° 350 mm 13.78 inch	60°
200 x 200 mm 7.87 x 7.87 inch	350 x 350 mm 13.78 x 13.78 inch	550 x 200 mm 21.65 x 7.87 inch	550 x 350 mm 21.65 x 13.78 inch	550 x 460 mm 21.65 x 18.11 inch	550 x 550 mm 21.65 x 21.65 inch	550 x 460 mm 21.65 x 18.11 inch	350 x 350 mm 13.78 x 13.78 inch	550 x 350 mm 21.65 x 13.78 inch	

CAR 550

**Tam Otomatik Hidrolik Sütunlu
Testere Tezgahı**
*Full Automatic Double Column Hydraulic
Bandsaw Machine*

Cuteral
INTEGRATED CUTTING SYSTEMS



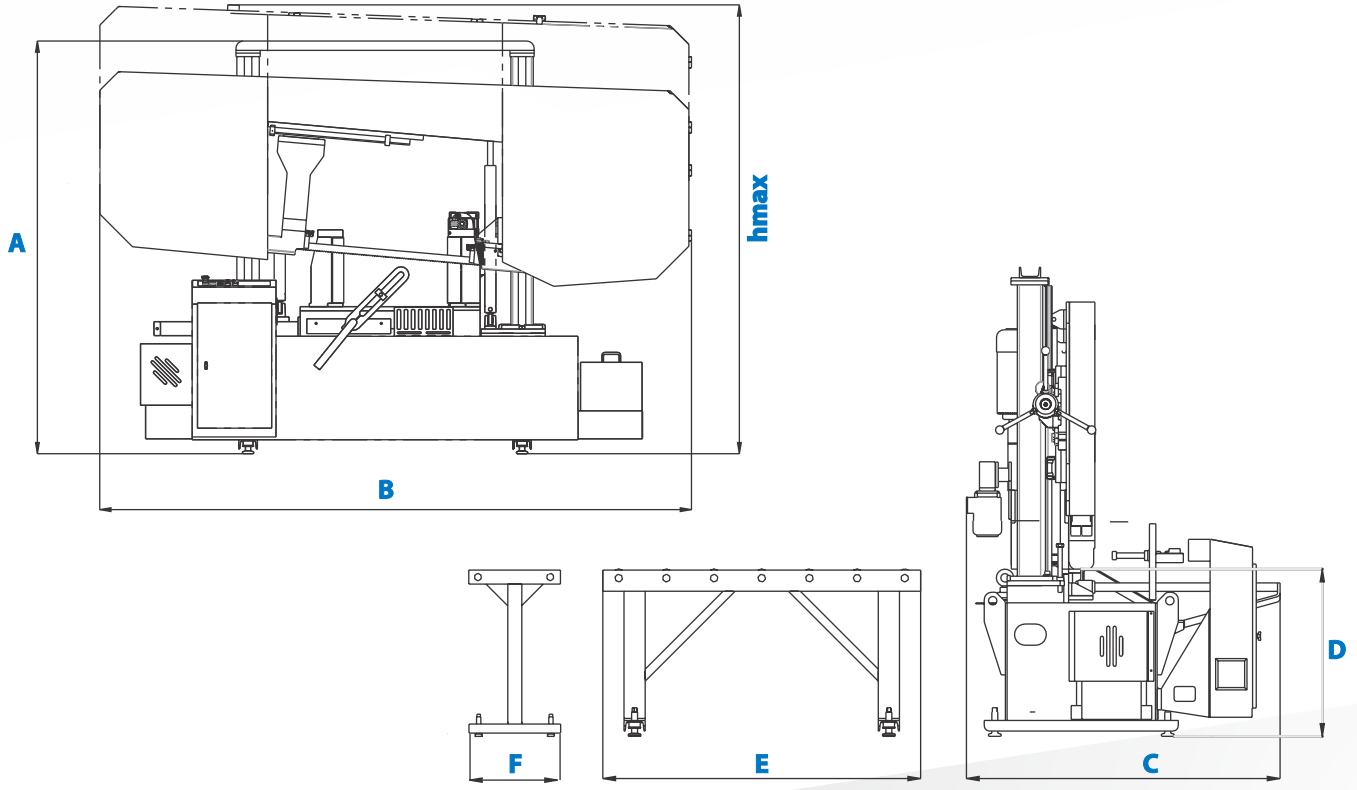
1 HAREKET SİSTEMİ
Linear Guiding

2 MALZEME SÜRME SİSTEMİ
Material Feeding System

3 MALZEME SIKMA SİSTEMİ
Material Clamping System

4 KUMANDA PANELİ
Control Panel

Ölçüler / Dimensions



A	2215 mm 87.20 inch	B	3160 mm 124.41 inch	C	1480 mm 58.27 inch	D	790 mm 31.10 inch	E	1500 mm 59.06 inch	F	425 mm 16.73 inch	hmax	2400 mm 94.49 inch
----------	-----------------------	----------	------------------------	----------	-----------------------	----------	----------------------	----------	-----------------------	----------	----------------------	-------------	-----------------------

Otomatik Automatic	Şerit Ölçüsü Blade Dimension 41x1.3x6850 mm 1 1/2x 0.050x269.6 inch	Şerit Motoru Blade Motor 4 kw- 1000d/dk 5.36 hp-1000 rpm	Sürücü Motor Feeding Motor 0.55kW-1000 d/dk 0.73 kW -1000 rpm
Hidrolik Motor Hydraulic Pump Motor 1.1kW -1500 d/dk 1.48hp-1500 rpm	Soğutucu Motor Cooling Liquid Motor 0.12kW 3000d/dk 0.16hp - 3000 rpm	Voltaj Voltage 400 V 400 V	Maksimum Güç Maximum Power 5.77 kW 7.73 hp
Kesme Hızı Cutting Speed 15 m/dk- 49 ft/min 100 m/dk- 328 ft/min	Ağırlık Weight 2300 kg 5070 lbs	Malzeme Sıkma Sistemi Material Clamping System Hidrolik Hydraulic	Şerit Germe Sistemi Blade Tensioning System Hidromekanik Hydramechanic

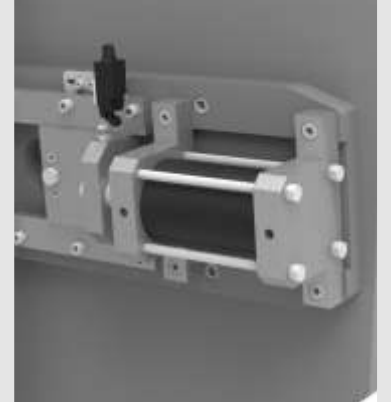
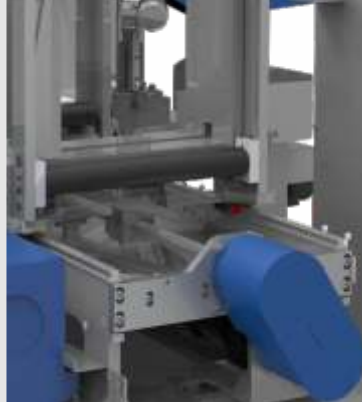
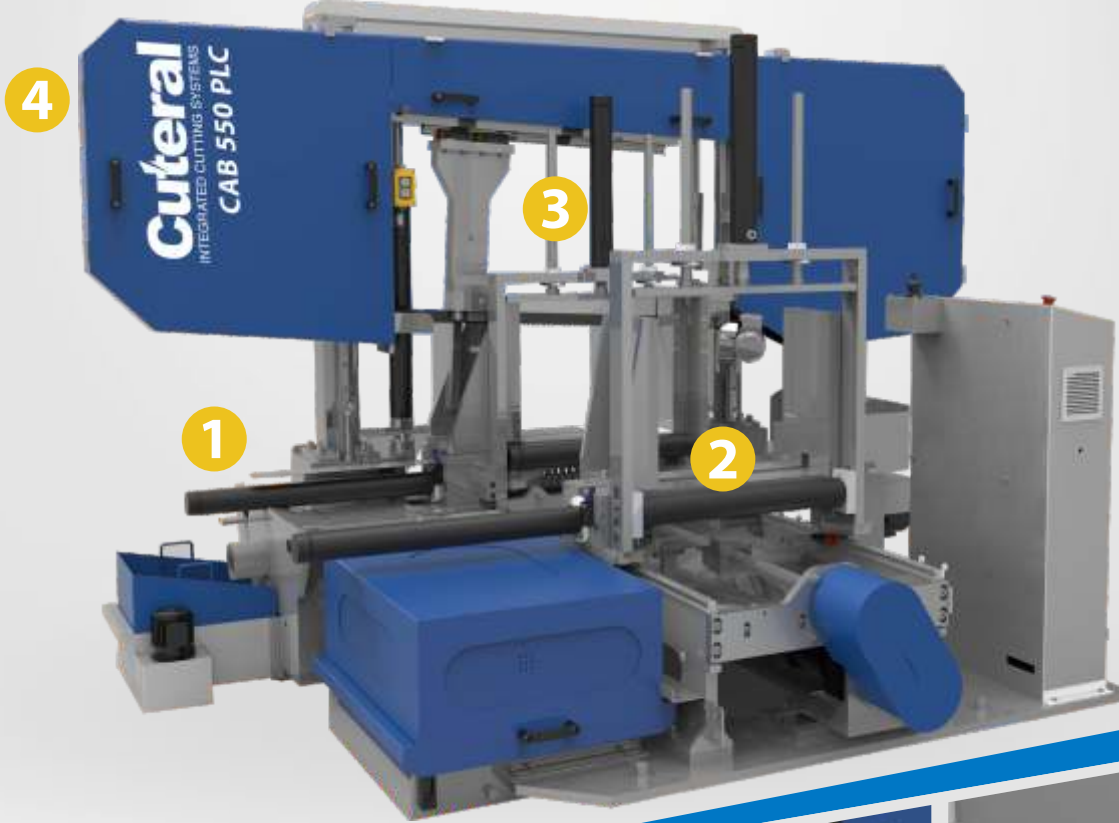
Kesim Kapasitesi Cutting Capacity 550 mm 21.65 inch	Kesim Kapasitesi Cutting Capacity 550 mm 21.65 inch	mm inch	80°	45°	30°	0°	15°	35°	60°
						550 mm 21.65 inch			
						550 x 550 mm 21.65 x 21.65 inch			
						550 x 550 mm 21.65 x 21.65 inch			

CAB 550 PLC

**Tam Otomatik PLC Kontrollü Hidrolik
Sütunlu Testere Tezgahı**

*Full Automatic PLC Control Double Column Hydraulic
Bandsaw Machine*

Cuteral
INTEGRATED CUTTING SYSTEMS



**1 MALZEME SIKMA
SİSTEMİ**

*Material Clamping
System*

**2 MALZEME SÜRME
SİSTEMİ**

*Material Feeding
System*

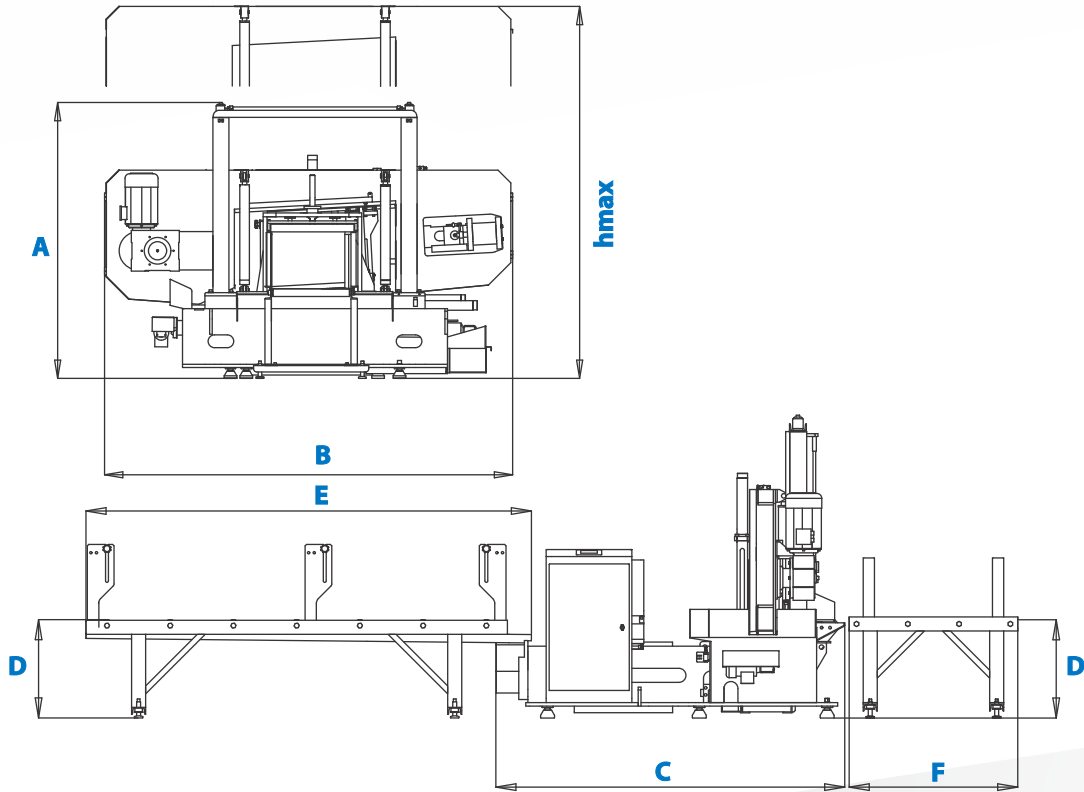
**3 ÜST BASKI
SİSTEMİ**

Bundle Clamping

**4 ŞERİT GERDİRME
SİSTEMİ**

Blade Tensioning

Ölçüler / Dimensions



A	2155 mm 84.84 inch	B	3190 mm 125.59 inch	C	2320 mm 91.34 inch	D	700 mm 27.56 inch	E	3170 mm 124.80 inch	F	1200 mm 47.24 inch	hmax	2770 mm 109.06 inch
---	-----------------------	---	------------------------	---	-----------------------	---	----------------------	---	------------------------	---	-----------------------	------	------------------------

PLC Otomatik Automatic	Şerit Ölçüsü Blade Dimension 41x1.3x6780 mm 1 1/2 x 0.050x266.9 inch	Şerit Motoru Blade Motor 4kW -1500 d/dk 5.36 hp-1500 rpm	Sürücü Motor Feeding Motor 1.5kW - 1500 d/dk 2hp - 1500 rpm
Hidrolik Motor Hydraulic Pump Motor 3kW - 1500 d/dk 4 hp- 1500rpm	Soğutucu Motor Cooling Liquid Motor 0.12kW 3000d/dk 0.16hp - 3000 rpm	Voltaj Voltage 400 V 400 V	Maksimum Güç Maximum Power 8.96 kW 12 hp
Kesme Hızı Cutting Speed 15 m/dk- 49 ft/min 100 m/dk- 328 ft/min	Ağırlık Weight 4380 kg 9655 lbs	Talaş Konveyörü M Chip Conv. M. 0.25 kW -1500 d/dk 0.33 hp - 1500 rpm	Talaş Fırçası M. Chip Brush M. 0.09 kW - 1500 d/dk 0.12hp / 1500 rpm

Kesim Kapasitesi Cutting Capacity 550 mm 21.65 inch	Kesim Kapasitesi Cutting Capacity 550 mm 21.65 inch	mm inch	60°	45°	30°	0°	15°	45°	60°
						550 mm 21.65 inch			
						550 x 550 mm 21.65 x 21.65 inch			
						550 x 550 mm 21.65 x 21.65 inch			

CSM 800 / 900

Yarı Otomatik Hidrolik Sütunlu Testere Tezgahı

Semi Automatic Double Column Hydraulic
Bandsaw Machine

Cuteral
INTEGRATED CUTTING SYSTEMS



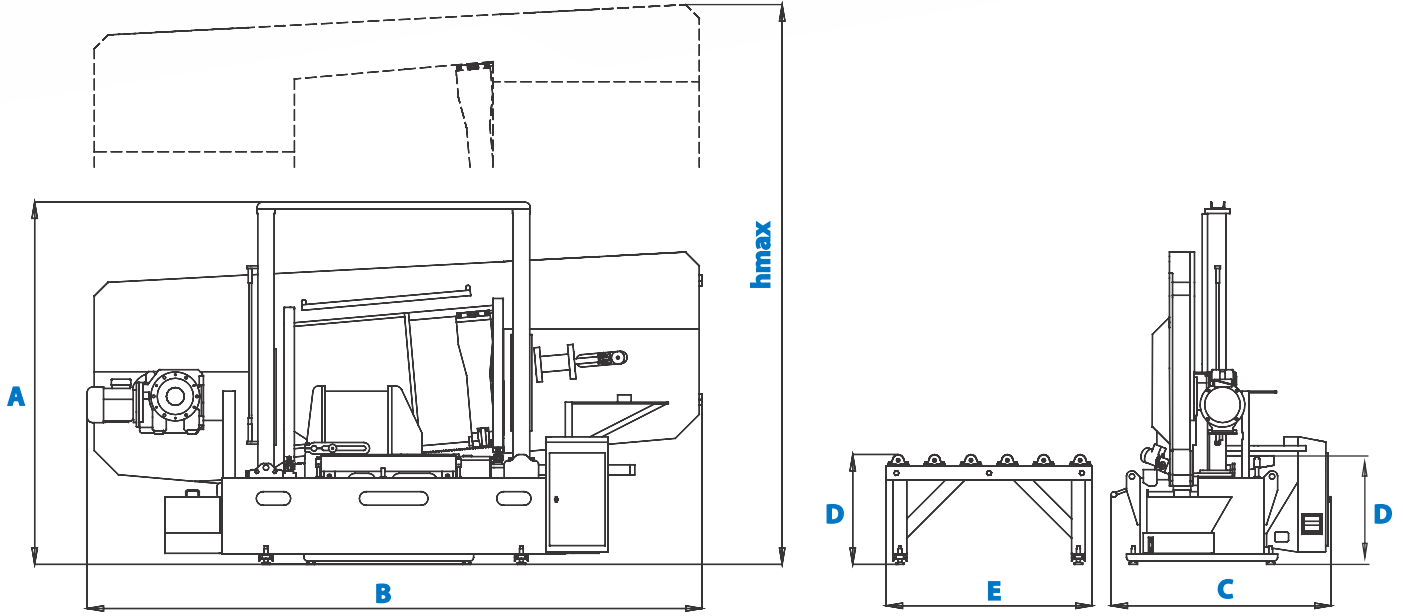
1 HAREKET SİSTEMİ
Linear Guiding

2 TALAŞ TEMİZLEME
FIRÇASI
Chip Brush

3 MENGENE SİSTEMİ
Clamping System

4 ŞERİT GERDİRME
SİSTEMİ
Blade Tensioning

Ölçüler / Dimensions



A	2440 mm 96.06 inch	B	4406 mm 173.46 inch	C	1570 mm 61.81 inch	D	610 mm 24.02 inch	E	1500 mm 59.06 inch	hmax	2990 mm 117.72 inch
----------	-----------------------	----------	------------------------	----------	-----------------------	----------	----------------------	----------	-----------------------	-------------	------------------------

Yarı Otomatik Semi Automatic	Şerit Ölçüsü Blade Dimension 54 x 1.6 x 9800 mm 2.126 x 0.062 x 385.8 inch	Şerit Motoru Blade Motor 5.5 kW / 1500 d/dk 7.3 hp / 1500 rpm	Sürücü Motor Feeding Motor Manuel Manual
Hidrolik Motor Hydraulic Pump Motor 3 kW / 1500 d/dk 4 hp / 1500 rpm	Soğutucu Motor Cooling Liquid Motor 0.12 kW / 3000 d/dk 0.16 hp / 3000 rpm	Voltaj Voltage 400 V 400 V	Maksimum Güç Maximum Power 8.71 kW 11.68 hp
Kesme Hızı Cutting Speed 15 m/dk- 49 ft/min 100 m/dk- 328 ft/min	Ağırlık Weight 3120 kg 6878 lbs	Talas Fırçası M. Chip Brush M. 0.09 kW -1500 d/dk 0.12hp / 1500 rpm	Şerit Germe Sistemi Blade Tensioning System Hidrolik Hydraulic

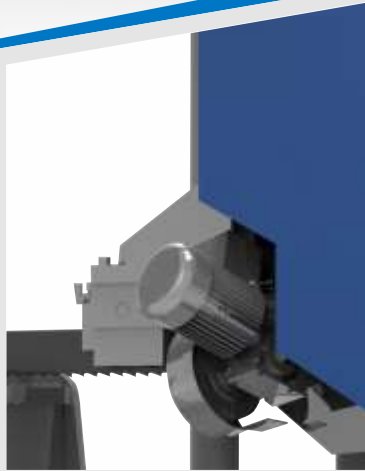
Kesim Kapasitesi Cutting Capacity 800 mm 31.50 inch	Kesim Kapasitesi Cutting Capacity 900 mm 35.43 inch	mm inch	60°	45°	30°	0°	15°	45°	60°
						800 mm 31.50 inch			
						800 x 800 mm 31.50 x 31.50 inch			
						800 x 900 mm 31.50 x 35.43 inch			

CSM 1200 / 1300

Yarı Otomatik Hidrolik Sütunlu Testere Tezgahı

Semi Automatic Double Column Hydraulic
Bandsaw Machine

Cuteral
INTEGRATED CUTTING SYSTEMS



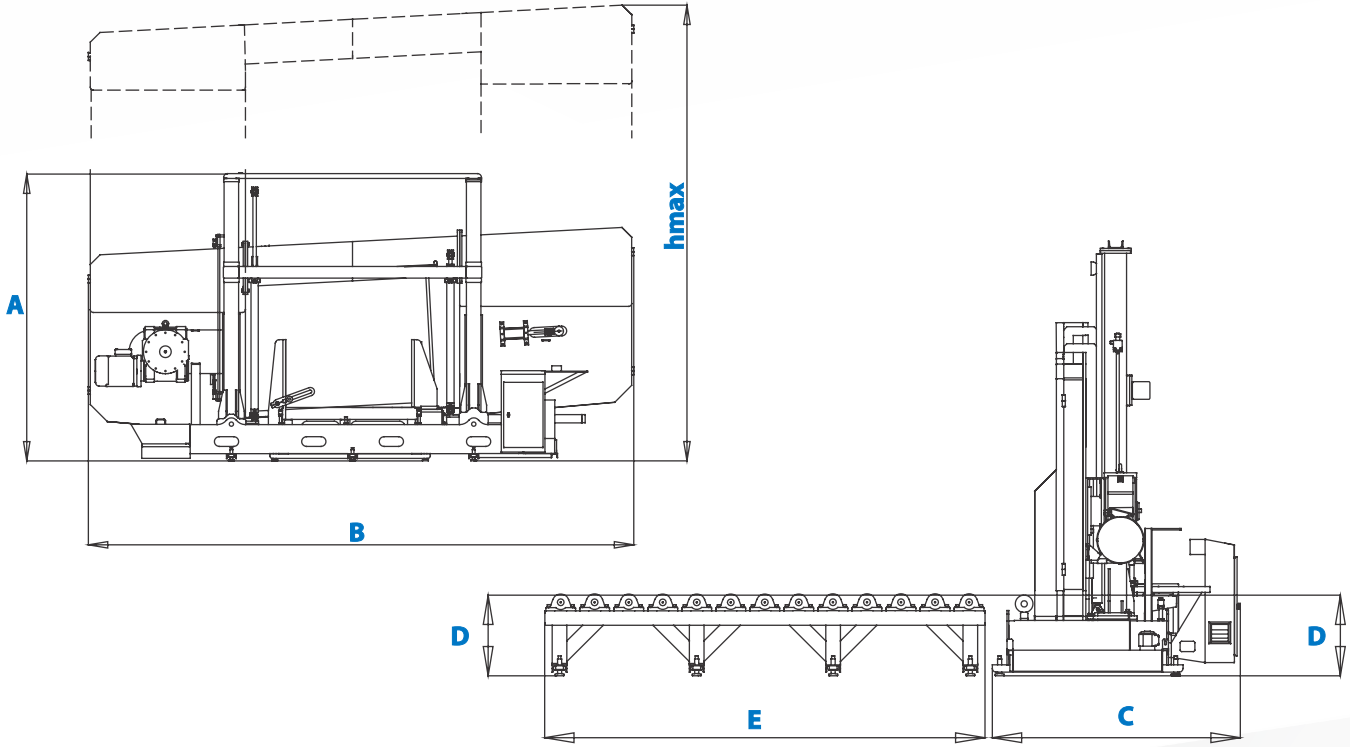
1 HAREKET SİSTEMİ
Linear Guiding

2 TALAŞ TEMİZLEME
FIRÇASI
Chip Brush

3 ŞERİT GERDİRME
SİSTEMİ
Blade Tensioning

4 MENGENE
SİSTEMİ
Clamping System

Ölçüler / Dimensions



A	3000 mm 118.11 inch	B	5625 mm 221.46 inch	C	1690 mm 66.54 inch	D	525 mm 20.67 inch	E	3000 mm 118.11 inch	hmax	3725 mm 146.65 inch
----------	------------------------	----------	------------------------	----------	-----------------------	----------	----------------------	----------	------------------------	-------------	------------------------

Yarı Otomatik Semi Automatic	Şerit Ölçüsü Blade Dimension 67x1.6x12450 mm 2 5/8 x 0.063x490.1 inch	Şerit Motoru Blade Motor 7.5kW-1500 d/dk 10hp-1500 rpm	Talaş Fırçası M. Chip Brush M. 0.09 kW - 1500 d/dk 0.12hp / 1500 rpm
Hidrolik Motor Hydraulic Pump Motor 3kW-1500 d/dk 4hp-1500 rpm	Soğutucu Motor Cooling Liquid Motor 0.12kW 3000d/dk 0.16hp - 3000 rpm	Voltaj Voltage 400 V 400 V	Maksimum Güç Maximum Power 10.71 kW 14.36 hp
Kesme Hızı Cutting Speed 15 m/dk- 49 ft/min 100 m/dk- 328 ft/min	Ağırlık Weight 7000 kg 15432 lbs	Malzeme Sıkma Sistemi Material Clamping System Hidrolik Hydraulic	Şerit Germe Sistemi Blade Tensioning System Hidromekanik Hydramechanic

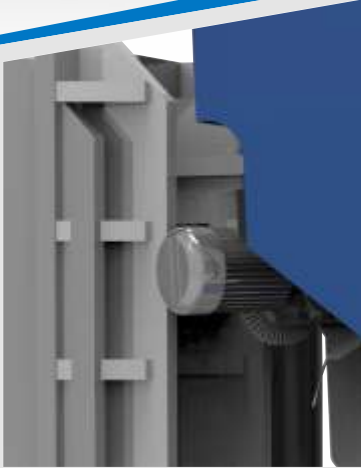
Kesim Kapasitesi Cutting Capacity 1200 mm 47.24 inch	Kesim Kapasitesi Cutting Capacity 1300 mm 51.18 inch	90°	80°	45°	30°	0°	15°	45°	60°
		mm inch				1200 mm 47.24 inch			
						1200 x 1200 mm 47.24 x 47.24 inch			
						1200 x 1300 mm 47.24 x 51.18 inch			

CSM 1200 / 2000

Yarı Otomatik Hidrolik Sütunlu Testere Tezgahı

Semi Automatic Double Column Hydraulic
Bandsaw Machine

Cuteral
INTEGRATED CUTTING SYSTEMS



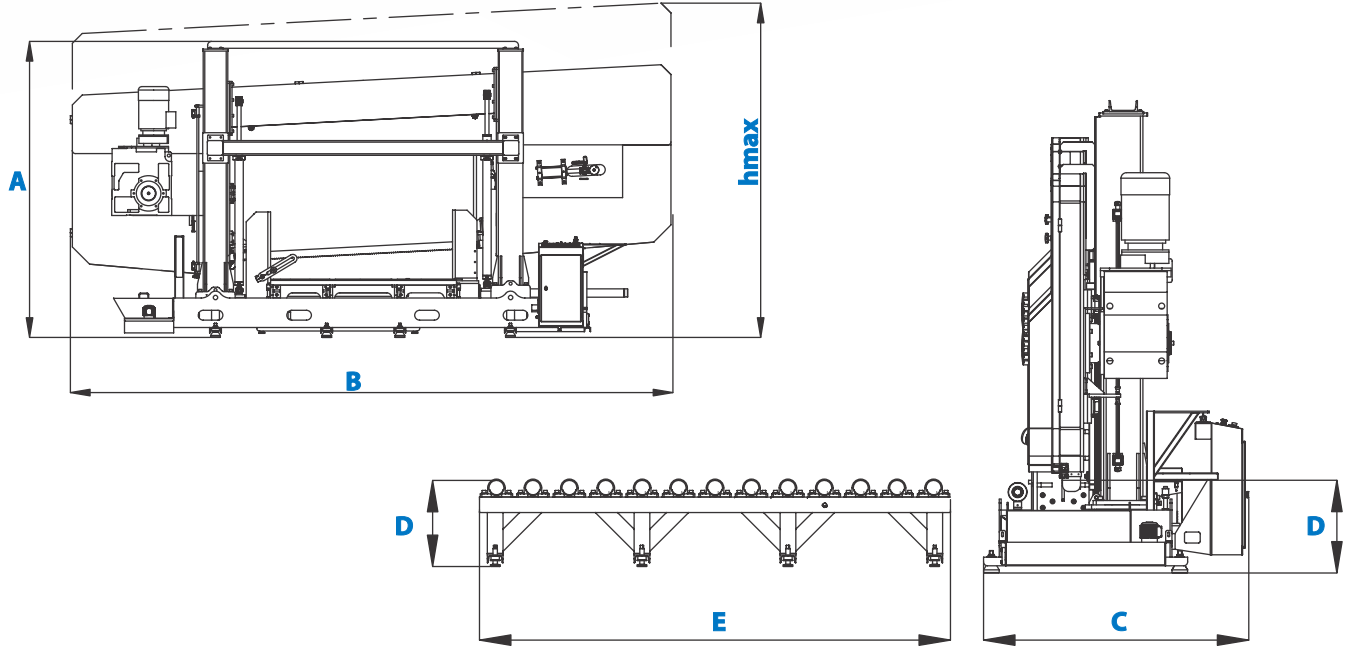
1 HAREKET SİSTEMİ
Linear Guiding

2 TALAŞ TEMİZLEME
FIRÇASI
Chip Brush

3 ŞERİT GİRDİRME
SİSTEMİ
Blade Tensioning

4 MENGENE
SİSTEMİ
Clamping System

Ölçüler / Dimensions



A	3015 mm 118.70 inch	B	6125 mm 241.14 inch	C	1690 mm 66.54 inch	D	591 mm 23.27 inch	E	3000 mm 118.11 inch	hmax	3765 mm 148.23 inch
----------	------------------------	----------	------------------------	----------	-----------------------	----------	----------------------	----------	------------------------	-------------	------------------------

Yarı Otomatik Semi Automatic	Şerit Ölçüsü Blade Dimension 80x1.6x13460 mm 3 x 0.063x529.92 inch	Şerit Motoru Blade Motor 11kW-1500 d/dk 14.75hp-1500 rpm	Talaş Fırçası M. Chip Brush M. 0.09 kW - 1500 d/dk 0.12hp / 1500 rpm
Hidrolik Motor Hydraulic Pump Motor 3kW-1500 d/dk 4hp-1500 rpm	Soğutucu Motor Cooling Liquid Motor 0.37 kW-3000 d/dk 0.49 hp-3000 rpm	Voltaj Voltage 400 V 400 V	Maksimum Güç Maximum Power 14.46 kW 19.39 hp
Kesme Hızı Cutting Speed 15 m/dk- 49 ft/min 60 m/dk- 196 ft/min	Ağırlık Weight 8750 kg 19290 lbs	Malzeme Sıkma Sistemi Material Clamping System Hidrolik Hydraulic	Şerit Germe Sistemi Blade Tensioning System Hidrolik Hydraulic

Kesim Kapasitesi Cutting Capacity 1200 mm 47.24 inch	Kesim Kapasitesi Cutting Capacity 2000 mm 78.74 inch	90°	60°	45°	30°	0°	15°	45°	60°
		mm inch				1200 mm 47.24 inch			
		●				1200 x 1200 mm 47.24 x 47.24 inch			
		■				1200 x 2000 mm 47.24 x 78.74 inch			