



PRODUCT BROCHURE



The power is now in your hands **with Volt Gearboxes!**



Gearbox Series

For Special Applications

■ **Meat Mincer**
Gearbox



- TK32
- 210 ve 240 rpm
- 1,5 - 2,2 - 3 kW
- Suitable for the food industry with hollow and output shaft manufactured of chrome

■ **Chicken**
Gearbox



- ES30 - ES30
- ES30 - ES75
- ES40 - ES63
- 3,5 ve 4,5 rpm

■ **Bakery**
Gearbox



- ES30 - ES30
- ES30 - ES75
- ES40 - ES63
- 3,5 ve 4,5 rpm

■ **Cow Brush**
Gearbox



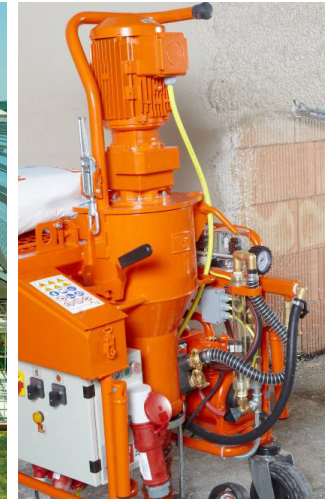
- 0,18 kW MF 003 32 rpm
- 0,25 kW MF 003 32 rpm

■ **Greenhouse**
Gearbox



- PTO Shaft Options
- 3,5 rpm

■ **Building Trade**
Special Applications



- 5,5 kW MF 173 388 rpm
- 0,55 kW MF 173 26 rpm

Gearbox Application Areas



Oil&GAS



Mining



Food



Cement



Water Treatment



Steel



Agriculture



Ceramic



Milling



Conveyor Systems



Textile



Hoist



Marble



Woodworker



Gearbox Types

E

Series

Worm
Gearbox

K

Series

Bevel Helical
Gearbox

V

Series

Crane
Gearbox

Q

Series

Shaft Mounted
Gearbox

M

Series

Helical Inline
Gearbox

D

Series

Parallel Shaft
Helical
Gearbox

Y

Series

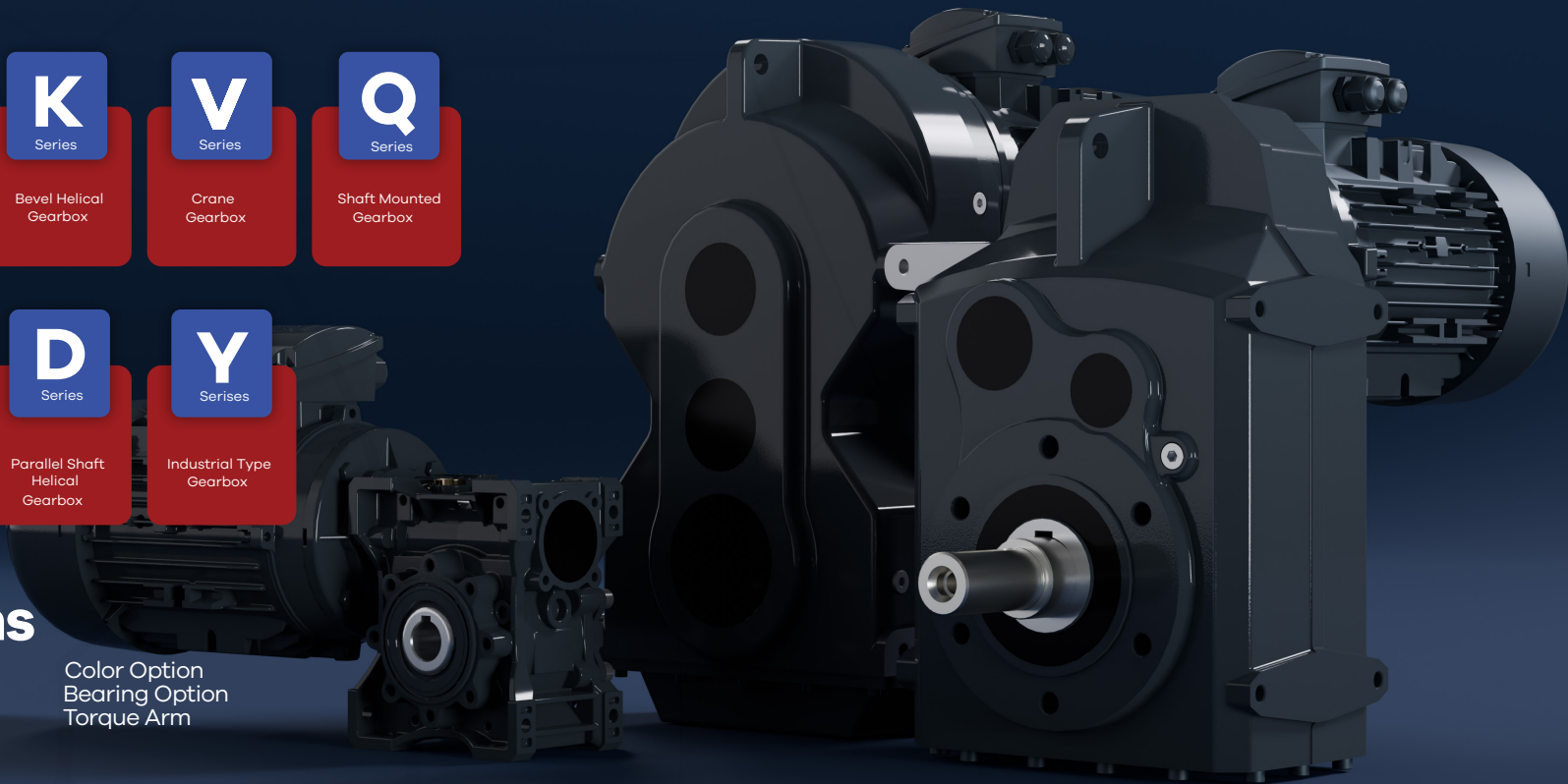
Industrial Type
Gearbox

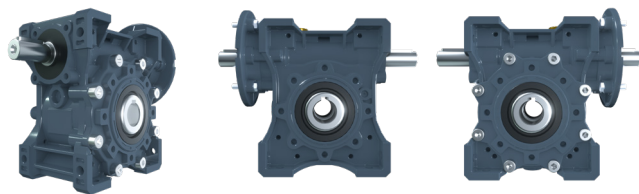
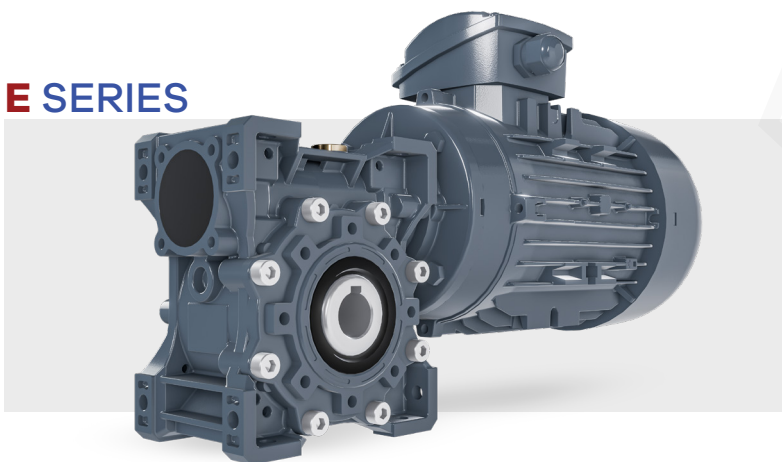
Options

Output Flange
Seal Option
Output Shaft
Brake Option

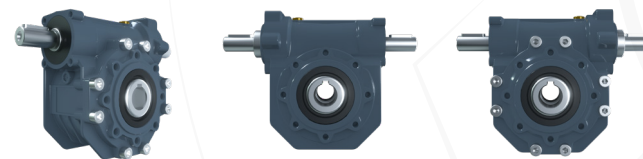
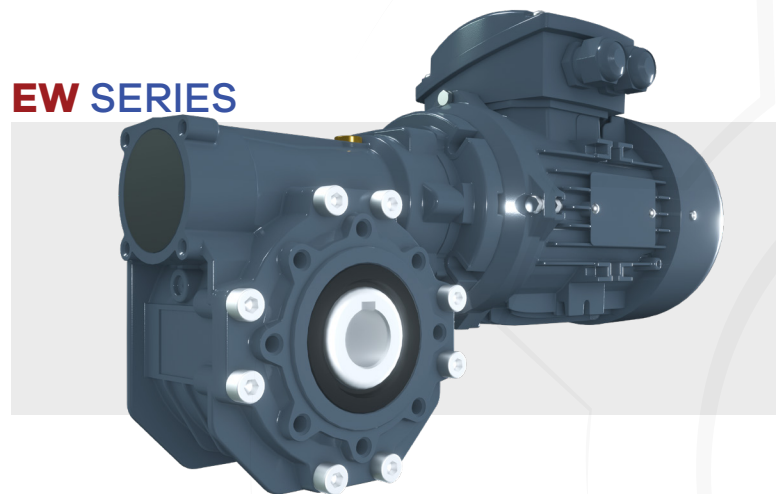
Color Option
Bearing Option
Torque Arm

Please contact us for special speed, special shaft, special bearing , special mounting options.



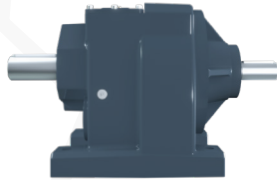
E SERIES

Motor Power Range	0,09 kW - 7,5 kW
Housing Size	30 - 130
Frame Size	30 - 130 Foot Mounted / 40 - 63 Flange Mounted
Housing Material	Aluminium 30 - 90 , Cast Iron, 110 - 130
Ratio Range	7,5 - 100

EW SERIES

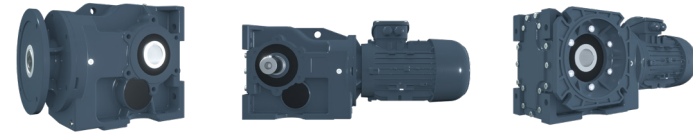
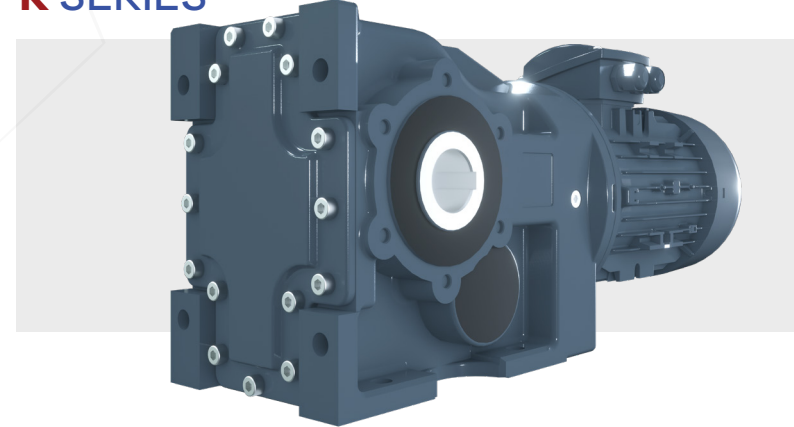
Motor Power Range	0,09 kW - 7,5 kW
Housing Size	30 - 130
Frame Size	30 - 130 Foot Mounted/ 40 - 63 Flange Mounted
Housing Material	Aluminium 30 - 90 , Cast Iron 110 - 130
Ratio Range	7,5 - 100

M SERIES

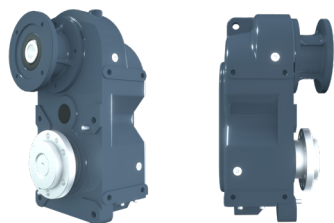
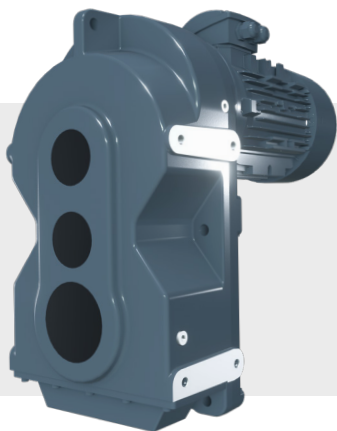


Motor Power Range	0,12 kW - 90 kW
Housing Size	003 - 873
Frame Size	003 - 873 Foot Mounted / 003 - 873 Flange Mounted
Housing Material	Cast Iron 003 - 873
Ratio Range	2,12 - 151

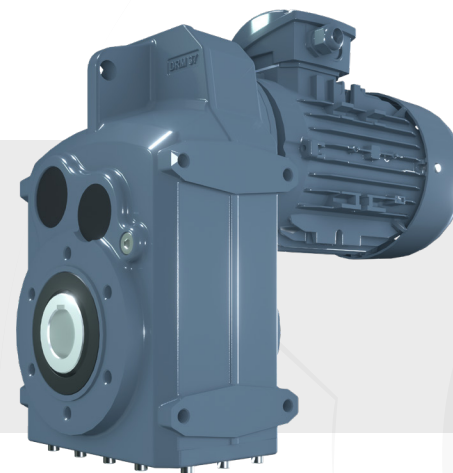
K SERIES



Motor Power Range	0,55 kW - 55 kW
Housing Size	273 - 773
Frame Size	273 - 773 Foot Mounted / 273 - 773 Flange Mounted
Housing Material	Cast Iron 273 - 773
Ratio Range	6,91 - 150

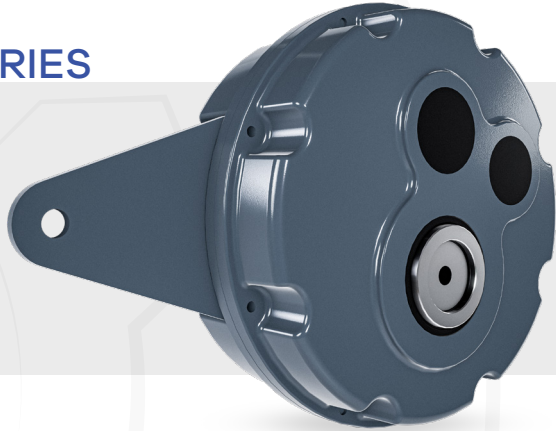
V SERIES

Motor Power Range	0,55 kW - 45 kW
Housing Size	373 - 873
Housing Material	Cast Iron 373 - 873
Ratio Range	12 - 139

D SERIES

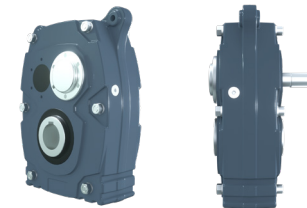
Motor Power Range	0,12 kW - 45 kW
Housing Size	173 - 773
Housing Material	Cast Iron 173 - 773
Ratio Range	3,55 - 130,7

Q SERIES



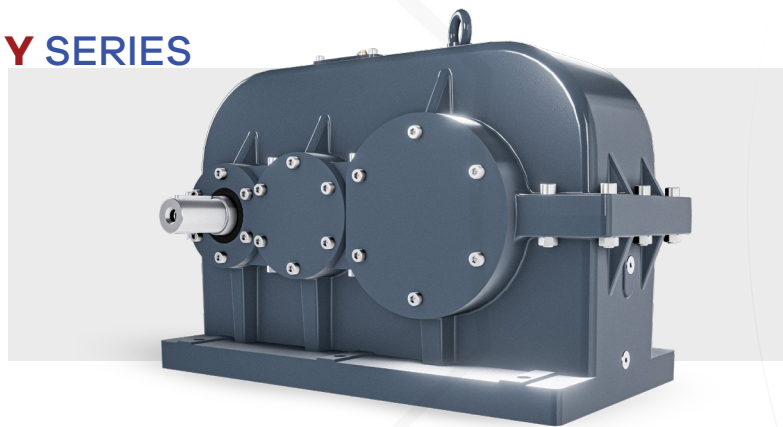
Motor Power Range	3kW - 45kW
Housing Size	52 - 62 - 72
Housing Material	Cast Iron Q52-Q72
Ratio Range	6,31-22
Shaft Diameter	45- 50 -55-60-65-70-75

QM SERIES



Motor Power Range	2kW-45kW
Housing Size	QM4
Housing Material	QM4 – Cast Iron
Ratio Range	5-20

Y SERIES



Volt gearboxes

Volt gearboxes

📍 Büyük Kayacık Mah. Konya O.S.B 12. Sk.No:30
Selçuklu / KONYA TÜRKİYE

🌐 voltreduktor.com.tr

✉ bilgi@voltreduktor.com.tr

☎ +90 332 345 04 00

📞 +90 332 345 04 12

📱 [f](#) [@](#) [v](#) [in](#) voltreduktor

SAYA
GRUP